



## AVK FLEXDRAIN FREE FLOW (FF)

80/60  
003



AVK Flexdrains for Freeflow underground hydrants DN80 and DN100.  
Ensures optimal flow of drain water.



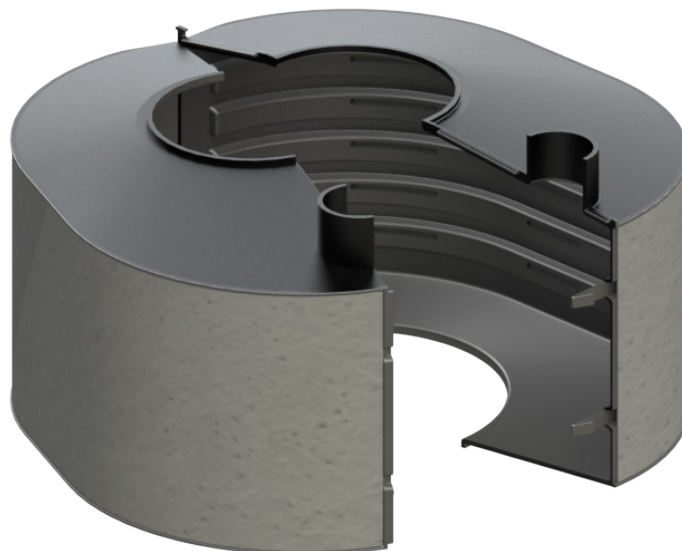
### Types

- Flexdrain Free Flow  
CO Ø149 mm  
One strong hinged piece

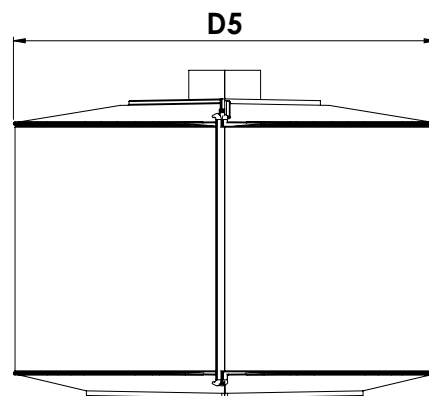
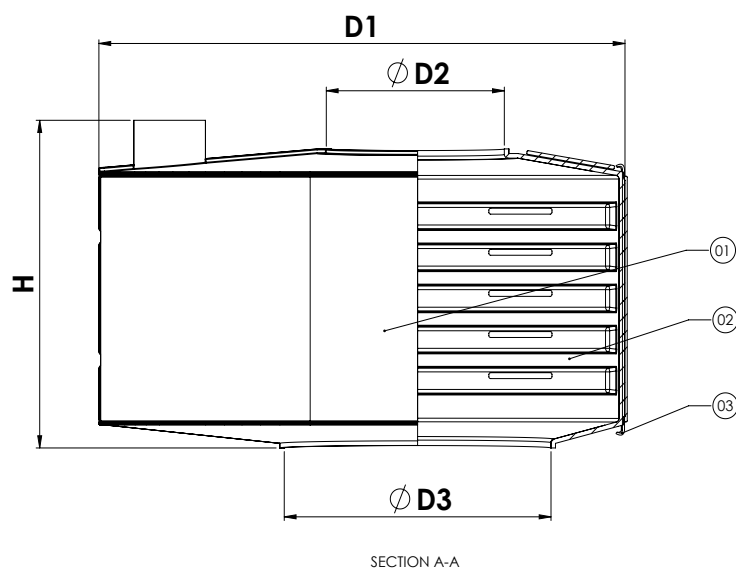
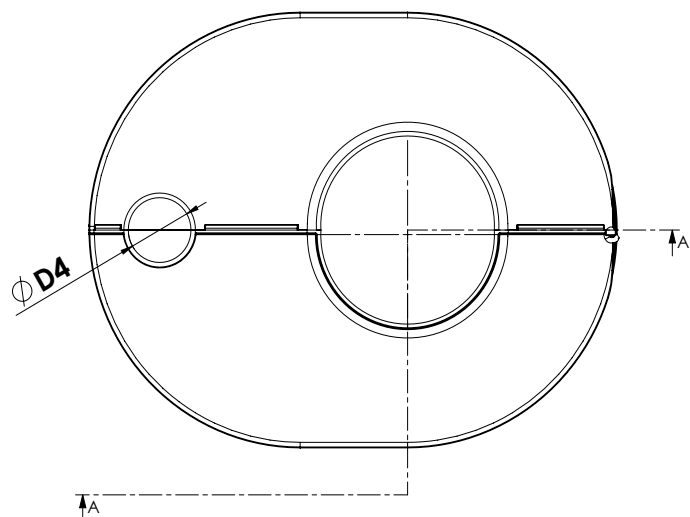


### Features

- Easy installation with snap closure, no tools required and low weight
- Prevent ingress of dirt and vegetation growth in the drainage area
- Durable; One strong hinged piece, strong hinge and solid edges
- Environmentally friendly materials; 100% recyclable
- Drainage fleece conforming EN13252
- Universal application



Expect... **AVR**



**Component list**

1.	Drainage fleece	Polyester spunbound geotextile
2.	Body	PP
3.	Rubber band	

**Reference nos. and nominal dimensions**

AVK ref. nos.	D1 mm	D2 mm	D3 mm	D4 mm	D5 mm	H mm	Total weight in kg
80-60-00003	294	100	149	35	236	178	0.6