



AVK SUPPORT TILE TYPE 3

80/46
010

AVK support tile for underground hydrants, distribution valves and district heating

Types

- Type 3
 - Oval synthetic tile

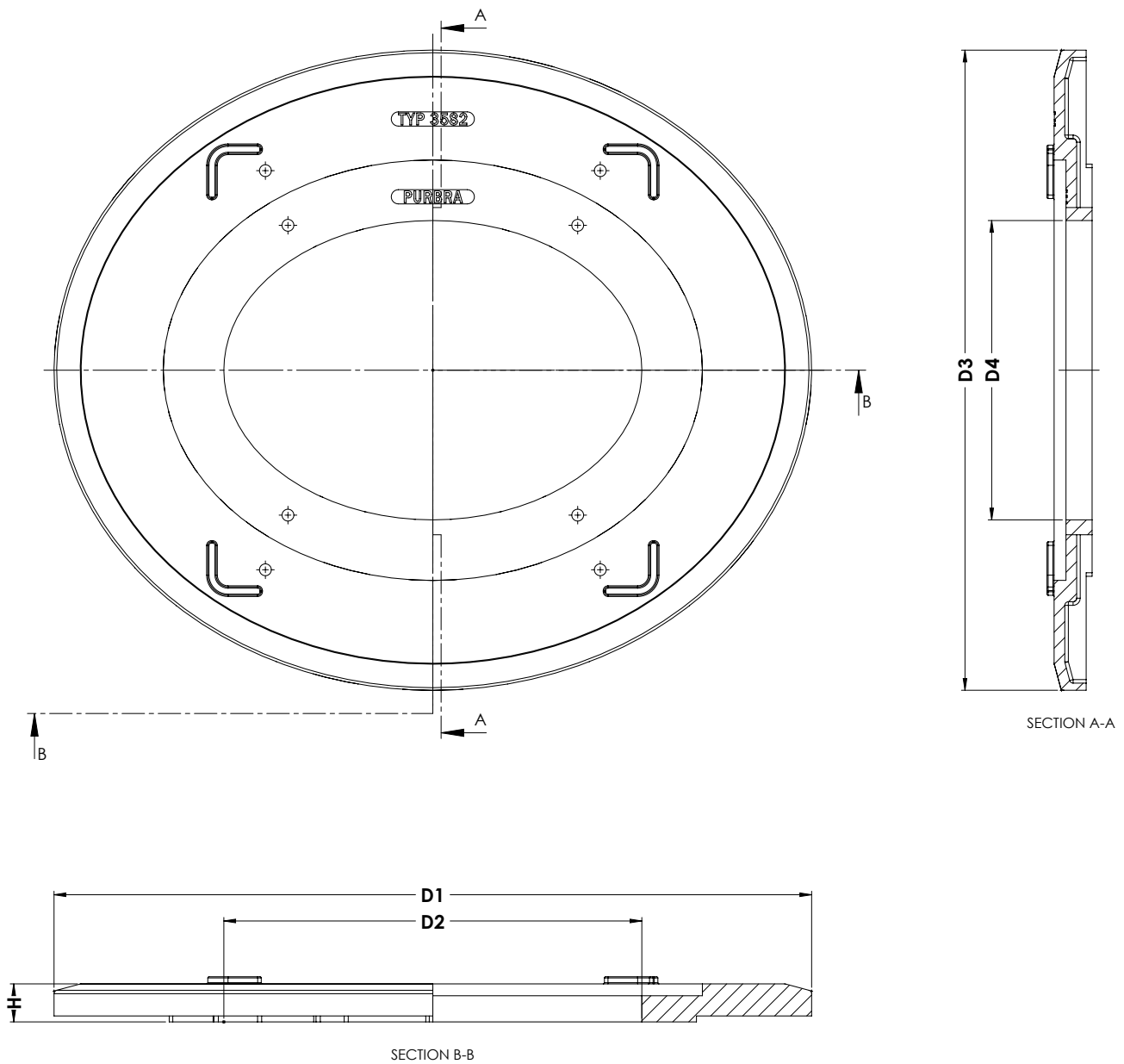
The support tile Type 3 is suitable for surface boxes: DIN4055, DIN3582 and Purbra

Features

- Support tiles will increase support surface in weak soils
- With small rims for fixation of surface boxes
- 100% recyclable



Expect... **AVK**



Component list

Support tile	HDPE
--------------	------

Reference nos. and nominal dimensions

AVK ref. nos.	D1 mm	D2 mm	D3 mm	D4 mm	H mm	Total weight in kg
80-46-00010	638	352	540	252	32	1.9