



AVK SUPPORT TILE TYPE 1

80/46
000



AVK support tile for distribution valves and service connection valves



Types

- Type 1
 - Round synthetic tile

The support tile Type 1 is suitable for surface boxes: DIN4056, DIN4057, DIN4059, DIN3581, Purdie, Pera



Features

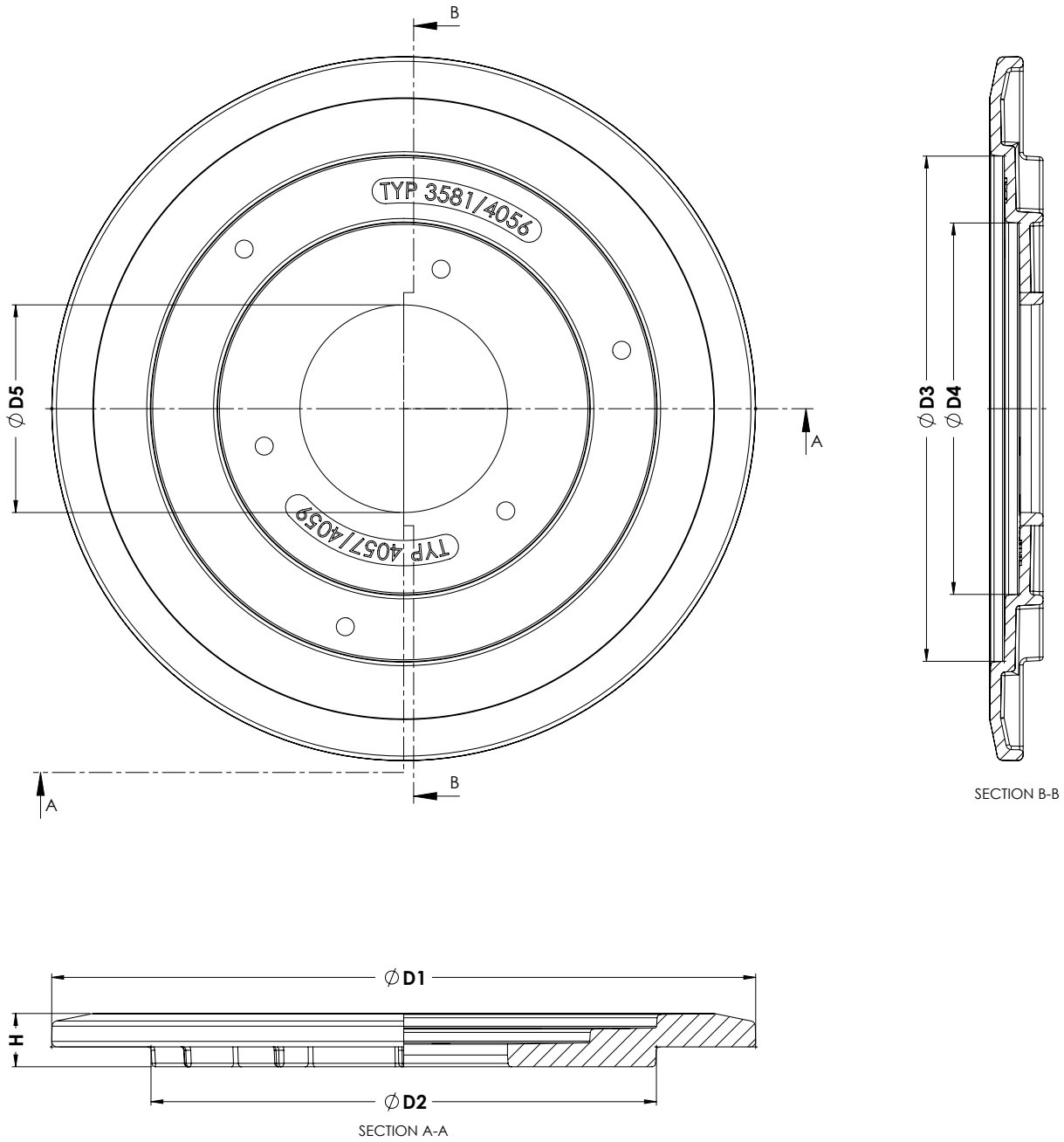
- Support tiles will increase support surface in weak soils
- Available with or without spindle fixation
- 100% recyclable

Accessories

- Spindle interface



Expect... **AVR**



Component list

Support tile	HDPE
--------------	------

Reference nos. and nominal dimensions

AVK ref. nos.	D1 mm	D2 mm	D3 mm	D4 mm	D5 mm	H mm	Total weight in kg
80-46-00000	390	280	280	205	115	30	0.8