



AVK SURFACE BOX H-4055 MD-GG AIR VALVE

80/30
001



Fixed height
Surface box for underground air valves
Standard lid inscription: AVK AIR VALVE



Type

- H-4055 MD-GG Air Valve
 - Oval cast iron lid
 - Oval top surface box



Features

- Lightweight, user-friendly, silent and maintenance free
- 100% recyclable and significantly less use of resources compared to traditional materials
- Manufactured out of high grade recycled materials
- Ribs in housing ensure optimal fixation in road foundation
- Selected materials for housing and lid ensure easy opening at all times
- Heat resistant to max. 250 °C
- Suitable for low-temperature applications
- Locking clip around the bolt ensuring lid will stay in its place
- Large clear opening to grant access to air valve below
- Multiple holes in lid allow discharge and admittance of air
 - Discharge: max. 340m³/h
 - Admittance: max. 160m³/h
- C250 load bearing capacity

Optional

- Various colours and lid inscriptions possible
- Available as lockable version making the surface box tamperproof
- Use of a Flexdrain around the air valve prevents dirt to block the in-/outlet, ensuring optimal operation

Standards

- Design derived from DIN 4055
- DVGW VP 310-2

Accessories

- Support tile II

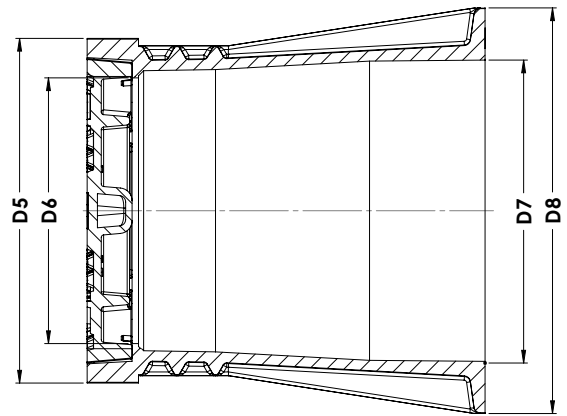
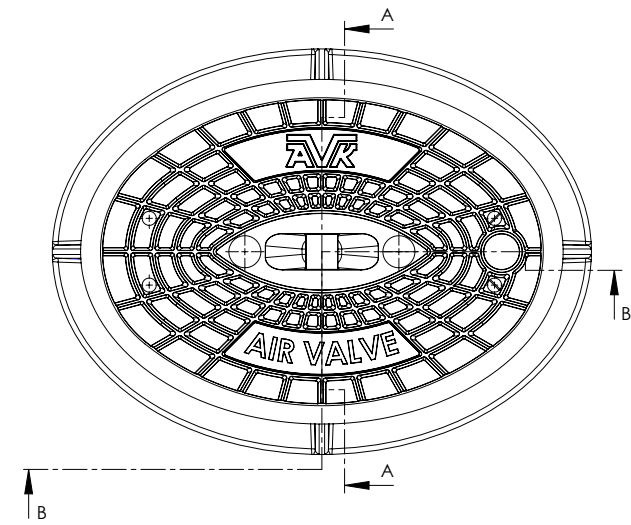


Top view

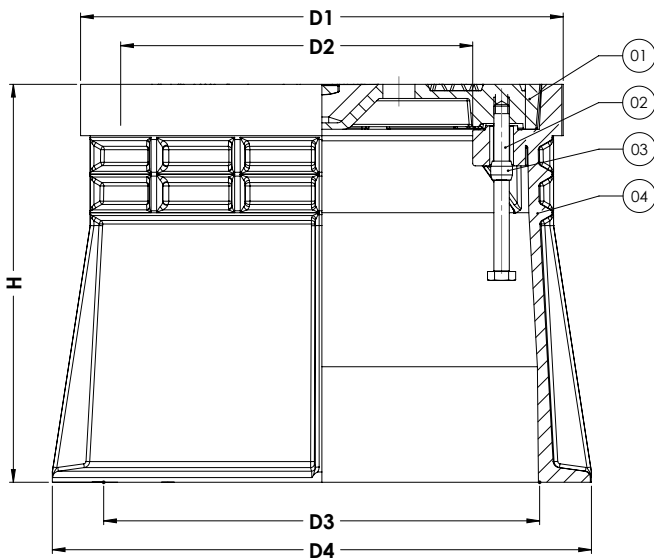


19.9 kg
CO₂ eq.

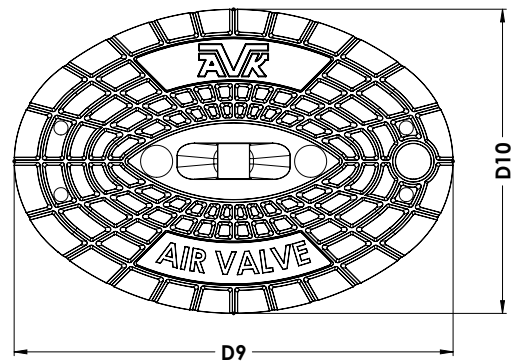
Expect... **AVK**



SECTION A-A



SECTION B-B



Component list

1. Lid	EN-GJL-200
2. Notched bolt M12x130 hexagon head	A2-70
3. Locking clip	PP
4. Housing	PA+

Reference nos. and nominal dimensions

AVK ref. nos.	D1 mm	D2 mm	D3 mm	D4 mm	D5 mm	D6 mm	D7 mm	D8 mm	D9 mm	D10 mm	H mm
80-30-0010000	376	274	340	420	268	207	236	316	342	237	310
	Weight box in kg	Weight lid in kg	Total weight in kg								
	4.1	7.0	11.1								

For other variants different item numbers apply
 Dimensions are subject to tolerances