



## AVK SURFACE BOX SURFACE BOX MPVP LD-GG

80/22  
822

Height adjustable  
Surface box for service connection valves  
Standard lid inscription: AVK W

### Type

- Surface Box MPVP LD-GG
  - Round cast iron lid
  - Square top surface box

### Features

- Lightweight, user-friendly, silent and maintenance free
- 100% recyclable and significantly less use of resources compared to traditional materials
- Manufactured out of high grade recycled materials
- Selected materials for housing and lid ensure easy opening at all times
- Heat resistant to max. 250 °C
- Suitable for low-temperature applications
- Large height range and flexible positioning of top part
- Inscription in lid to be positioned easily
- No height adjustment needed after installation, saving time and costs
- Floating top part following road settlement ensuring perfect alignment at all times
- Limited installation depth required
- Click system ensuring lid will stay in its place
- Galvanized steel cable connection between lid and surface box
- Acceptance and fixation of down pipes Ø 75, 90, 98, 110 and 118mm directly in surface box
- D400 load bearing capacity

### Optional

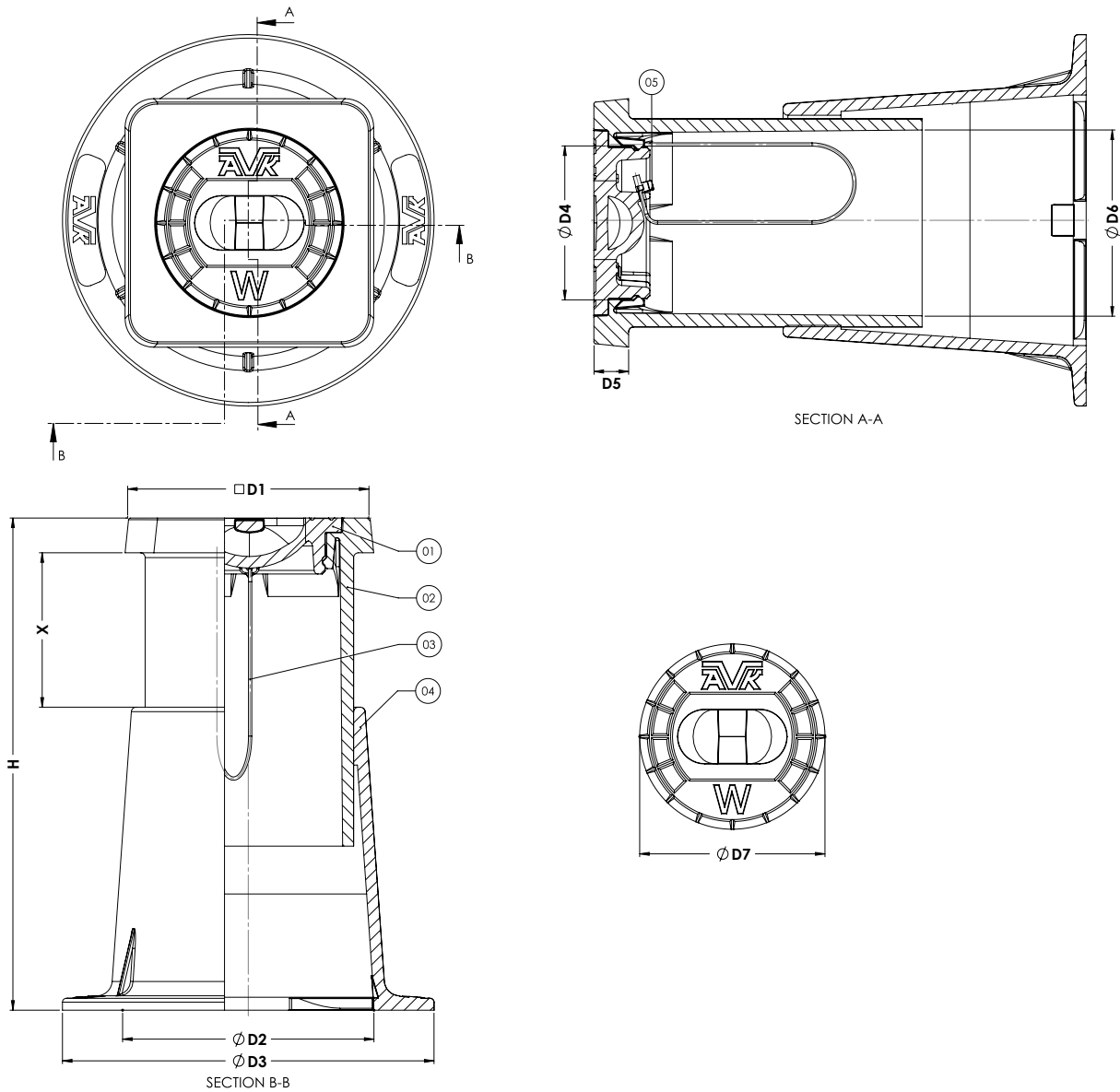
- Various colours and lid inscriptions possible

### Accessories

- Support tile I



Expect... **AVR**



**Component list**

1. Lid	EN-GJL-200
2. Housing top part	PA+
3. Cable	Galvanized steel
4. Housing bottom part	PA+
5. Cable tie	PA

**Reference nos. and nominal dimensions**

AVK ref. nos.	D1 mm	D2 mm	D3 mm	D4 mm	D5 mm	D5 mm	D6 mm	H mm	X mm
80-22-8220000	125	130	193	79	18	96	96	230-300	60-130
	Weight box in kg	Weight lid in kg	Total weight in kg						
	1.1	0.7	1.8						

For other variants different item numbers apply  
 Dimensions are subject to tolerances