



## AVK SURFACE BOX SURFACE BOX CPH HD-GG

80/21  
200



Fixed height  
Surface box for service connection valves  
Standard inscription plates: VAND AVK



### Type

- Surface Box CPH HD-GG
  - Square cast iron lid
  - Square top surface box



### Features

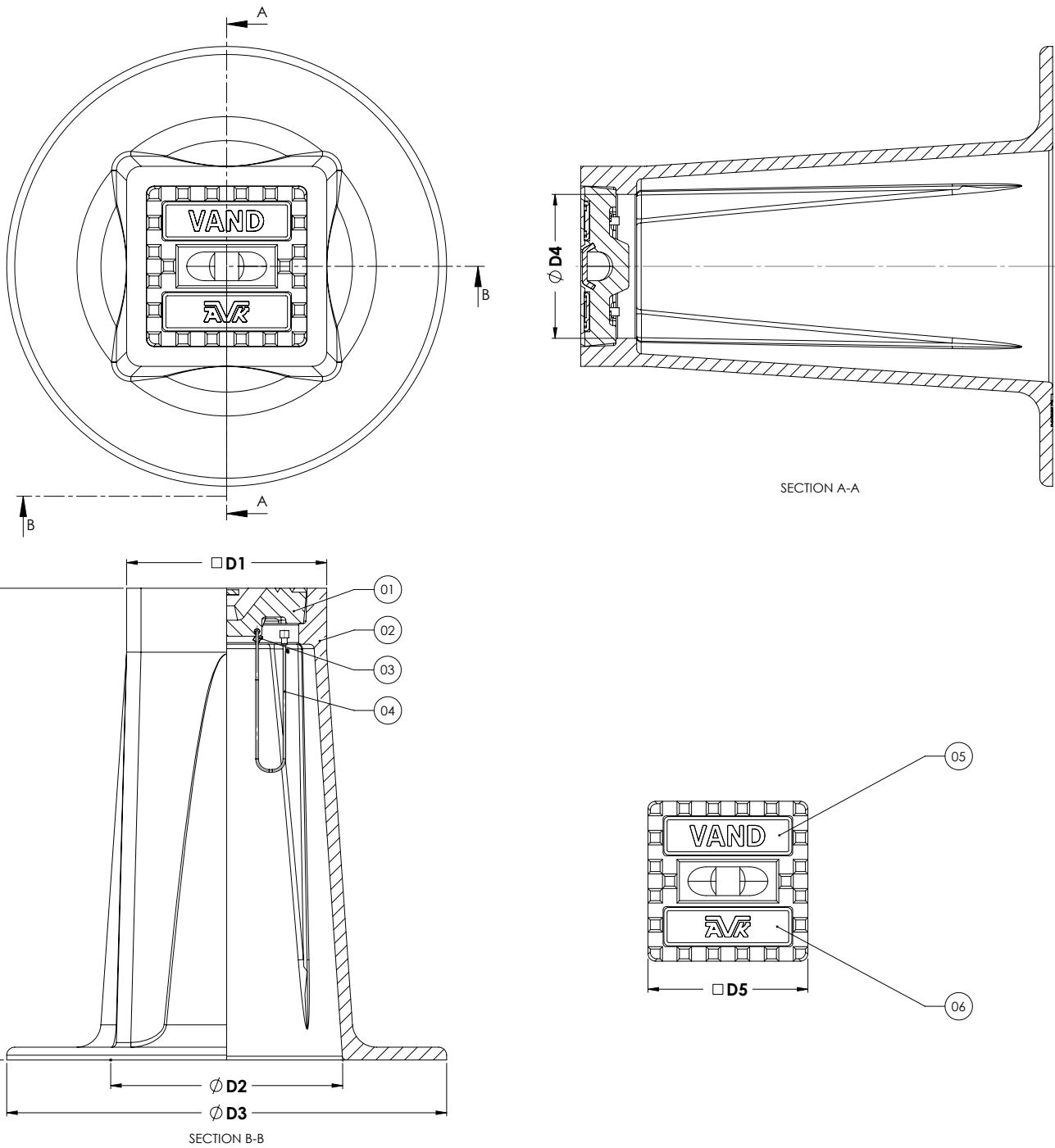
- Lightweight, user-friendly, silent and maintenance free
- 100% recyclable and significantly less use of resources compared to traditional materials
- Manufactured out of high grade recycled materials
- Selected materials for housing and lid ensure easy opening at all times
- Heat resistant to max. 160 °C
- Suitable for low-temperature applications
- Galvanized steel cable connection between lid and surface box
- B125 load bearing capacity

### Optional

- Various colours and lid inscriptions possible



Expect... **AVR**



**Component list**

1. Lid	EN-GJL-200
2. Housing	HDPE
3. Cable tie	PA
4. Cable	Galvanized steel
5. Inscription plate	PA
6. Inscription plate	PA

**Reference nos. and nominal dimensions**

AVK ref. nos.	D1 mm	D2 mm	D3 mm	D4 mm	D5 mm	H mm	Weight box in kg	Weight lid in kg	Total weight in kg
80-21-2000001	125	145	275	90	100	293	1.7	1.1	2.8

For other variants different item numbers apply  
 Dimensions are subject to tolerances