



AVK SURFACE BOX M-4057P MD-KU

80/32
214

Fixed height
Special model for pavement
Surface box for service connection valves
Standard lid inscription: AVK W

Type

- M-4057P MD-KU
- Round synthetic lid
- Square top surface box

Features

- Lightweight, user-friendly, silent and maintenance free
- 100% recyclable and significantly less use of resources compared to traditional materials
- Manufactured out of high grade recycled materials
- Ribs in housing ensure optimal fixation in road foundation
- Selected materials for housing and lid ensure easy opening at all times
- Heat resistant to max. 250 °C
- Suitable for low-temperature applications
- Locking clip around the bolt ensuring lid will stay in its place
- Lid material discourages thieves; no value in stealing
- Synthetic lid enables signal transmission
- Due to square top ideal solution for pavement installation
- B125 load bearing capacity

Optional

- Various colours and lid inscriptions possible
- Available as lockable version making the surface box tamperproof

Standards

- Design derived from DIN 4057
- DVGW VP 310-2

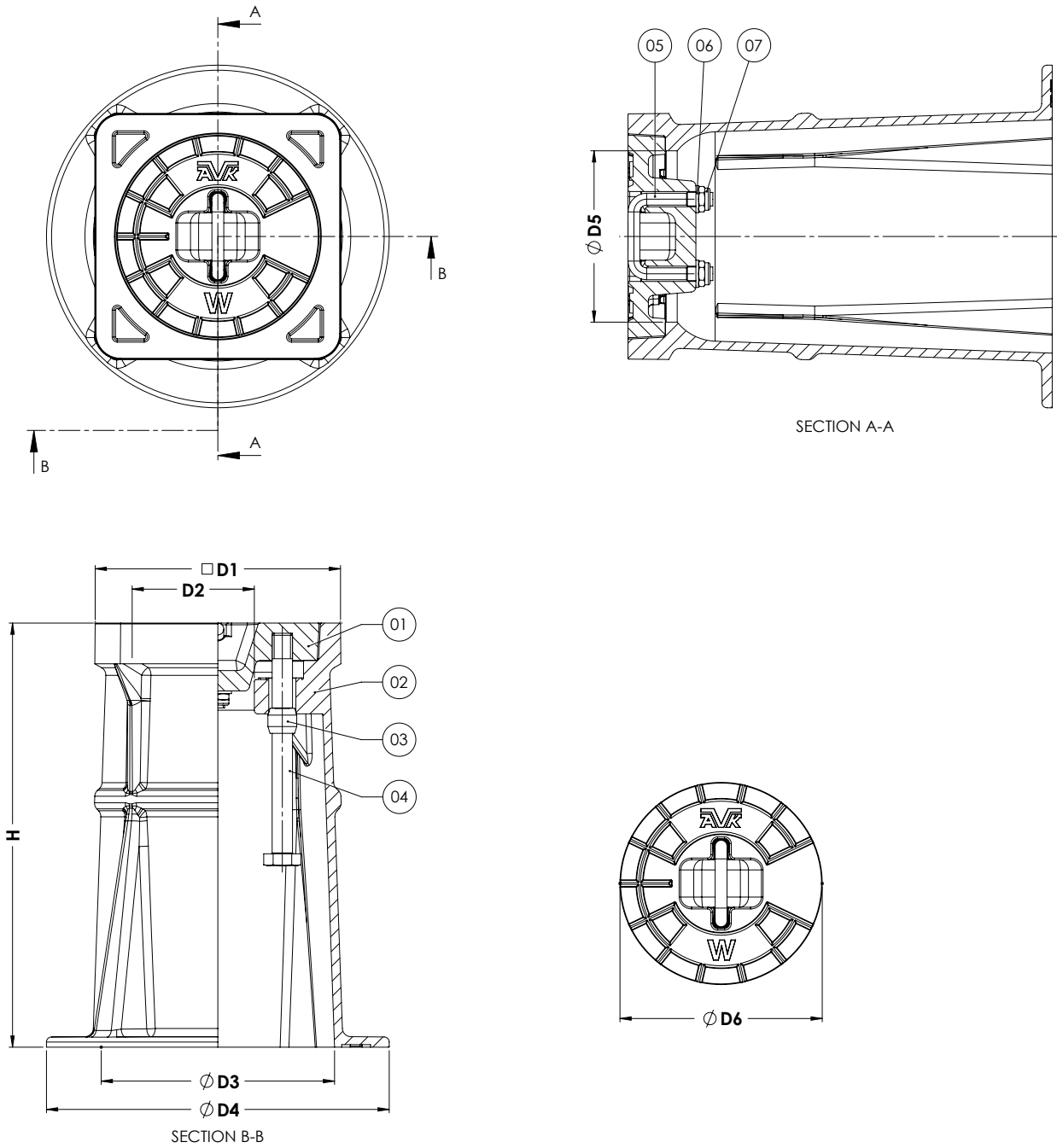
Accessories

- Support tile I
- Top frame service connection



3.9 kg
CO₂ eq.

Expect... **AVR**



Component list

1. Lid	PP 40%GF
2. Housing	PA+
3. Locking clip	PP
4. Notched bolt M12x130 hexagon head	A2-70
5. Crossbar	A2
6. Washer M8	A2
7. Prevailing torque nut M8	A2

Reference nos. and nominal dimensions

AVK ref. nos.	D1 mm	D2 mm	D3 mm	D4 mm	D5 mm	D6 mm	H mm	Weight box in kg	Weight lid in kg	Total weight in kg
80-32-2140009	144	72	137	202	101	119	250	1.0	0.4	1.4

For other variants different item numbers apply
Dimensions are subject to tolerances