



AVK SURFACE BOX M-4057H MD-GG

80/32
611

Fixed height
Surface box for service connection valves
Standard lid inscription: AVK W

Type

- M-4057H MD-GG
- Round cast iron lid
- Hexagonal top surface box

Features

- Lightweight, user-friendly, silent and maintenance free
- 100% recyclable and significantly less use of resources compared to traditional materials
- Manufactured out of high grade recycled materials
- Ribs in housing ensure optimal fixation in road foundation
- Selected materials for housing and lid ensure easy opening at all times
- Heat resistant to max. 250 °C
- Suitable for low-temperature applications
- Locking clip around the bolt ensuring lid will stay in its place
- A75 load bearing capacity

Optional

- Various colours and lid inscriptions possible
- Available as lockable version making the surface box tamperproof

Standards

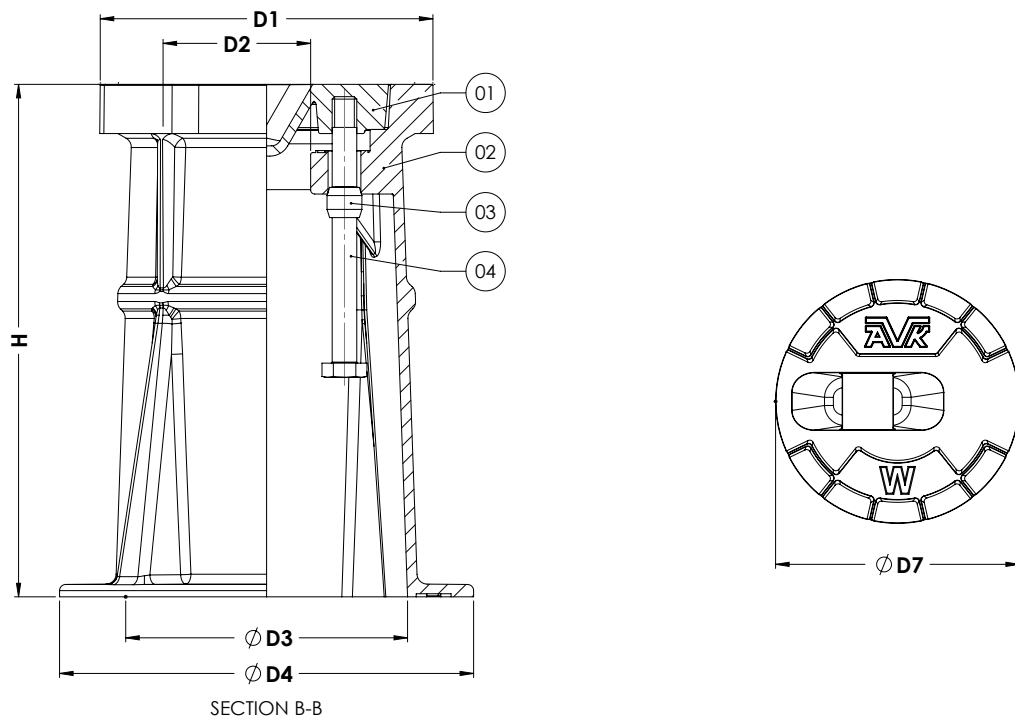
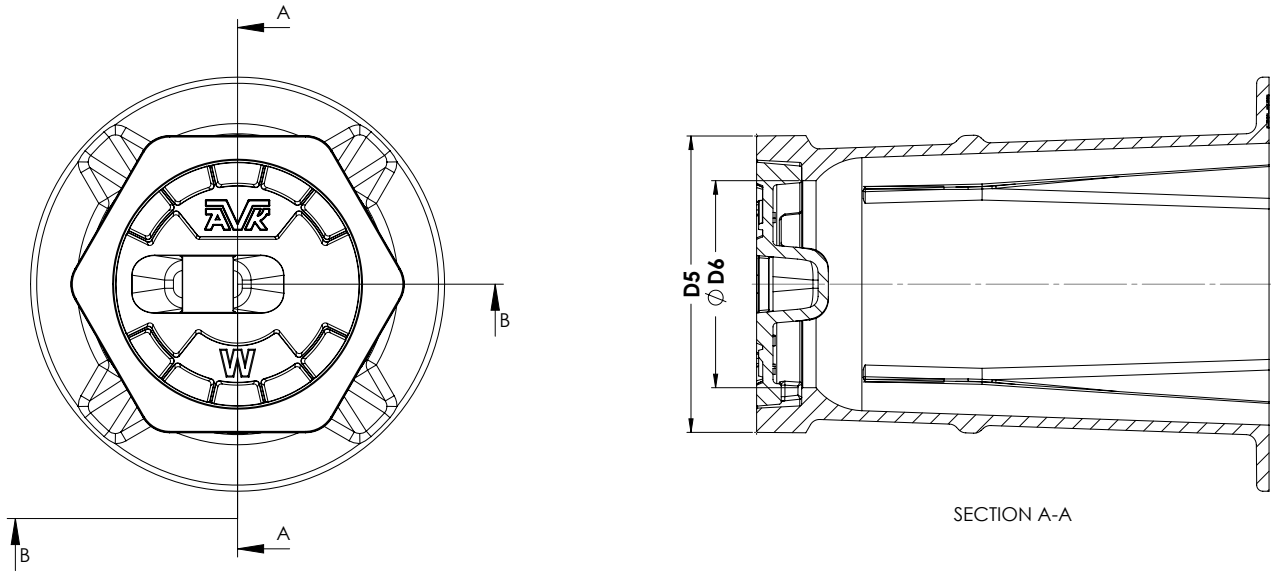
- Design derived from DIN 4057
- DVGW VP 310-2

Accessories

- Support tile I



Expect... **AVR**



Component list

1. Lid	EN-GJL-200
2. Housing	PA+
3. Locking clip	PP
4. Notched bolt M12x130 hexagon head	A2-70

Reference nos. and nominal dimensions

AVK ref. nos.	D1 mm	D2 mm	D3 mm	D4 mm	D5 mm	D6 mm	D7 mm	H mm	Weight box in kg	Weight lid in kg	Total weight in kg
80-32-6110005	162	72	137	202	145	101	119	250	1.0	1.1	2.1

For other variants different item numbers apply
 Dimensions are subject to tolerances