



AVK SURFACE BOX M-4055 MD-GG

80/30
011



Fixed height
Surface box for underground hydrants
Standard lid inscription: AVK HYDRANT



Type

- M-4055 MD-GG
- Oval cast iron lid
- Oval top surface box



Features

- Lightweight, user-friendly, silent and maintenance free
- 100% recyclable and significantly less use of resources compared to traditional materials
- Manufactured out of high grade recycled materials
- Ribs in housing ensure optimal fixation in road foundation
- Selected materials for housing and lid ensure easy opening at all times
- Heat resistant to max. 250 °C
- Suitable for low-temperature applications
- Locking clip around the bolt ensuring lid will stay in its place
- B125 load bearing capacity

Optional

- Various colours and lid inscriptions possible
- Available as lockable version making the surface box tamperproof
- Use of a Flexdrain around the hydrant prevents dirt to block the drain pipe, ensuring optimal operation

Standards

- Design derived from DIN 4055
- DVGW VP 310-2

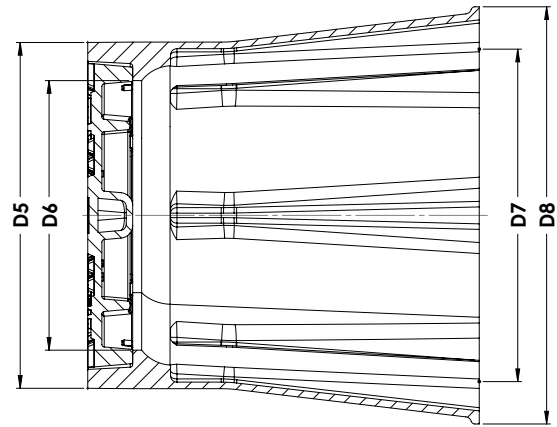
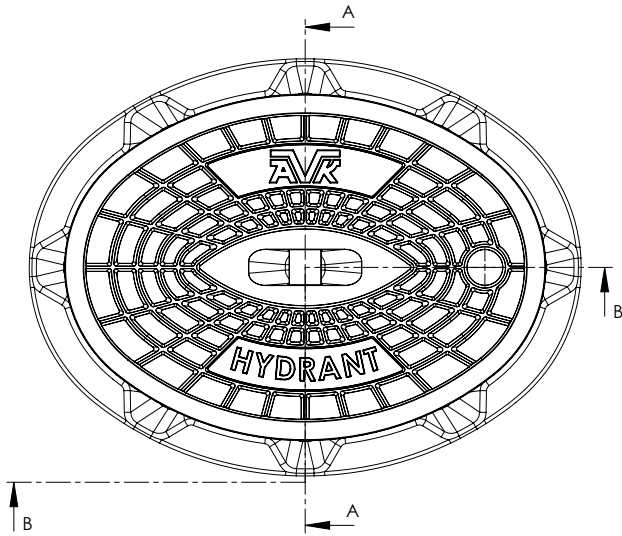
Accessories

- Support tile II

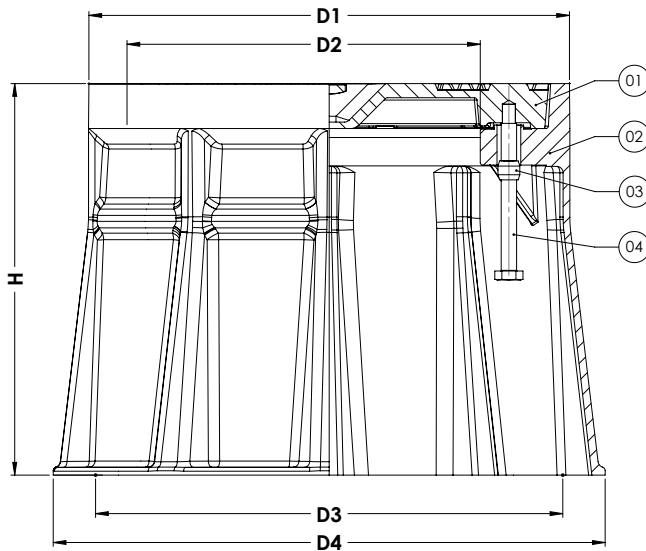


18.6 kg
CO₂ eq.

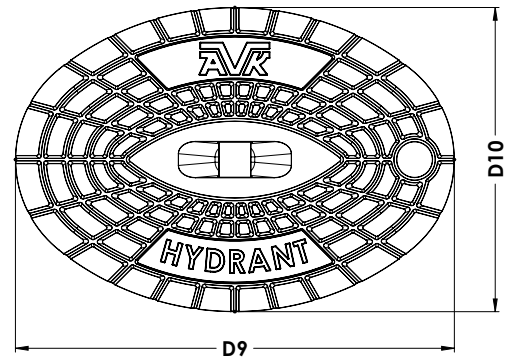
Expect... **AVR**



SECTION A-A



SECTION B-B



Component list

1. Lid	EN-GJL-200
2. Housing	PA+
3. Locking clip	PP
4. Notched bolt M12x130 hexagon head	A2-70

Reference nos. and nominal dimensions

AVK ref. nos.	D1 mm	D2 mm	D3 mm	D4 mm	D5 mm	D6 mm	D7 mm	D8 mm	D9 mm	D10 mm
80-30-0110001	374	275	364	430	270	210	260	325	342	237
	H mm	Weight box in kg	Weight lid in kg	Total weight in kg						
	305	3.0	7.1	10.1						

For other variants different item numbers apply
 Dimensions are subject to tolerances