



AVK SURFACE BOX H-4059 HD-GG

80/33
000

Fixed height
Surface box for service connection valves
Standard lid inscription: GAS

Type

- H-4059 HD-GG
- Square cast iron lid
- Square top surface box

Features

- Lightweight, user-friendly, silent and maintenance free
- 100% recyclable and significantly less use of resources compared to traditional materials
- Manufactured out of high grade recycled materials
- Ribs in housing ensure optimal fixation in road foundation
- Selected materials for housing and lid ensure easy opening at all times
- Heat resistant to max. 250 °C
- Suitable for low-temperature applications
- C250 load bearing capacity

Optional

- Various colours and lid inscriptions possible
- Spring around bolt ensuring lid will stay in its place

Standards

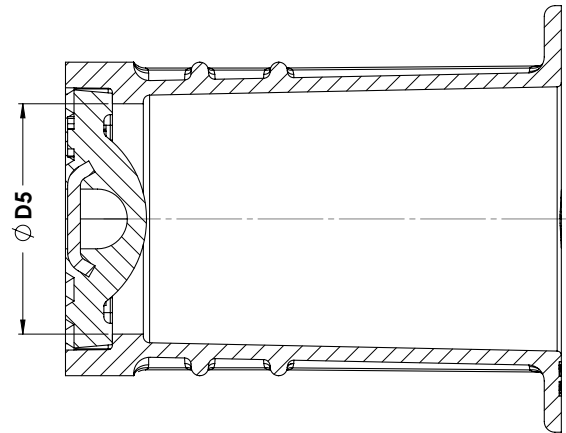
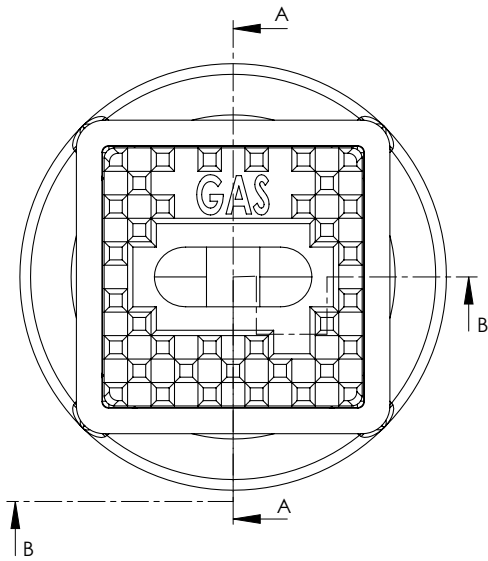
- Design according to DIN 4059
- DVGW VP 310-2
- DVGW approval, certificate DG-4531CN0475

Accessories

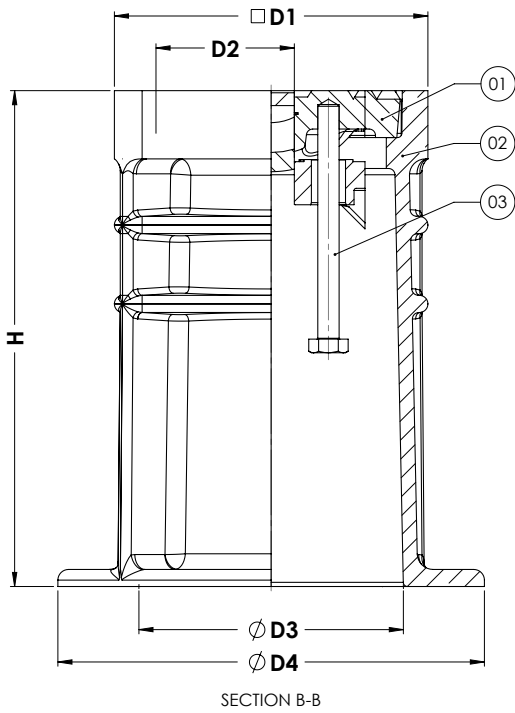
- Support tile I
- Top frame service connection



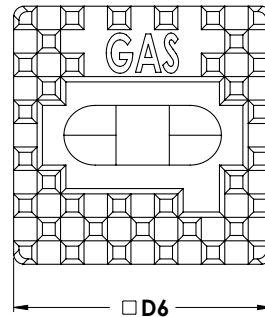
Expect... **AVR**



SECTION A-A



SECTION B-B



Component list

1. Lid	EN-GJL-200
2. Housing	PA+
3. Bolt M10x110 hexagon head	A2-70

Reference nos. and nominal dimensions

AVK ref. nos.	D1 mm	D2 mm	D3 mm	D4 mm	D5 mm	D6 mm	H mm	Weight box in kg	Weight lid in kg	Total weight in kg
80-33-000000	147	75	124	200	108	120	232	1.3	1.9	3.2

For other variants different item numbers apply
 Dimensions are subject to tolerances