



AVK SURFACE BOX H-3584 MD-KU

80/37
004

Fixed height
Surface box for distribution valves and district heating
Standard lid inscription: GAS

Type

- H-3584 MD-KU
- Square synthetic lid
- Square top surface box

Features

- Lightweight, user-friendly, silent and maintenance free
- 100% recyclable and significantly less use of resources compared to traditional materials
- Manufactured out of high grade recycled materials
- Ribs in housing ensure optimal fixation in road foundation
- Selected materials for housing and lid ensure easy opening at all times
- Heat resistant to max. 160 °C
- Suitable for low-temperature applications
- Lid material discourages thieves; no value in stealing
- Synthetic lid enables signal transmission
- D400 load bearing capacity

Optional

- Various colours and lid inscriptions possible
- Available as lockable version making the surface box tamperproof

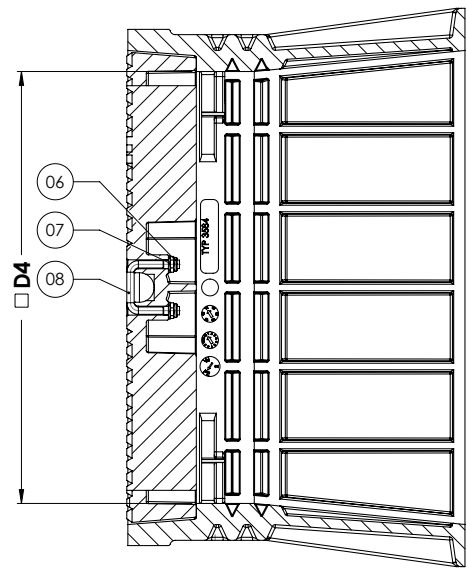
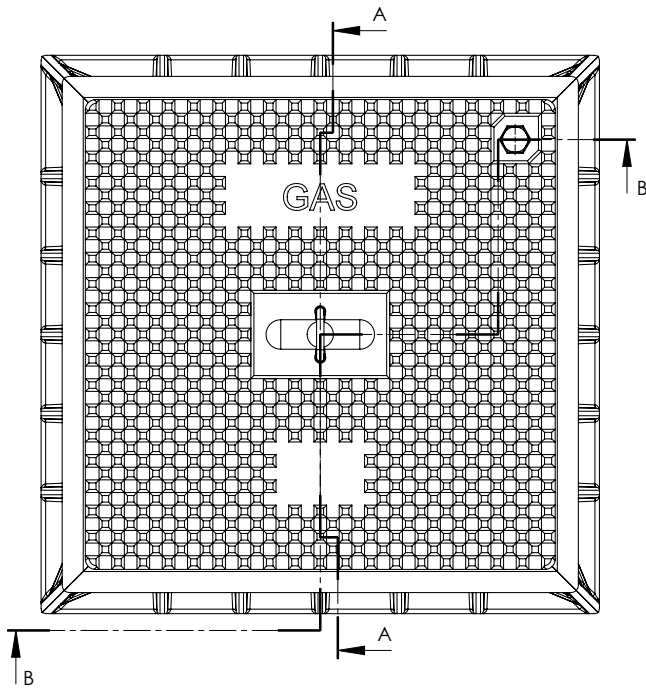
Standards

- Design derived from DIN 3584
- DVGW VP 310-2

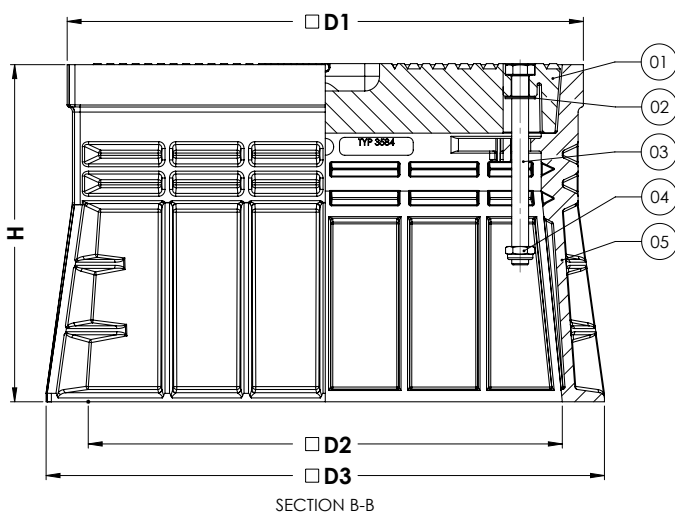


38.4 kg
CO₂ eq.

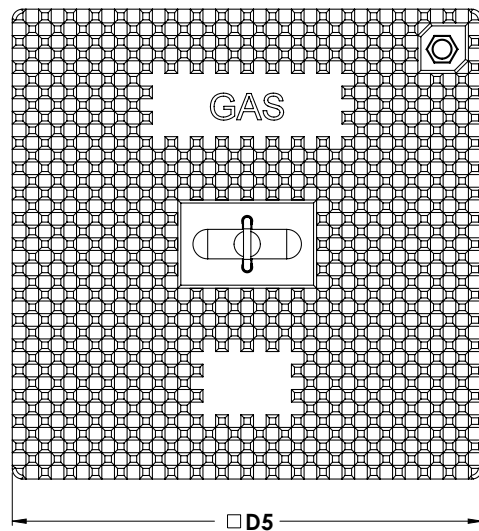
Expect... **AVR**



SECTION A-A



SECTION B-B



Component list

1. Lid	PP 40%GF
2. Push on fastener M16	A2
3. Bolt M16x180 hexagon head	A2-70
4. Prevailing torque nut M16	A2
5. Housing	HDPE
6. Prevailing torque nut M8	A2
7. Washer M8	A2
8. Crossbar	A2

Reference nos. and nominal dimensions

AVK ref. nos.	D1 mm	D2 mm	D3 mm	D4 mm	D5 mm	H mm	Weight box in kg	Weight lid in kg	Total weight in kg
80-37-0040001	490	450	530	410	446	320	9.6	5.8	15.4

For other variants different item numbers apply
Dimensions are subject to tolerances