



AVK SURFACE BOX H-4057P HD-GG

80/32
200

Fixed height
Special model for pavement
Surface box for service connection valves
Standard lid inscription: W

Type

- H-4057P HD-GG
- Round cast iron lid
- Square top surface box

Features

- Lightweight, user-friendly, silent and maintenance free
- 100% recyclable and significantly less use of resources compared to traditional materials
- Manufactured out of high grade recycled materials
- Ribs in housing ensure optimal fixation in road foundation
- Selected materials for housing and lid ensure easy opening at all times
- Heat resistant to max. 250 °C
- Suitable for low-temperature applications
- Due to square top ideal solution for pavement installation
- C250 load bearing capacity

Optional

- Spring around bolt ensuring lid will stay in its place
- Various colours and lid inscriptions possible
- Available as lockable version making the surface box tamperproof

Standards

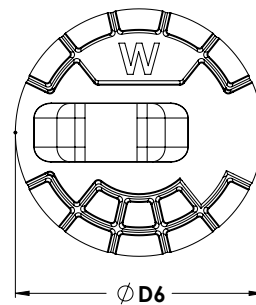
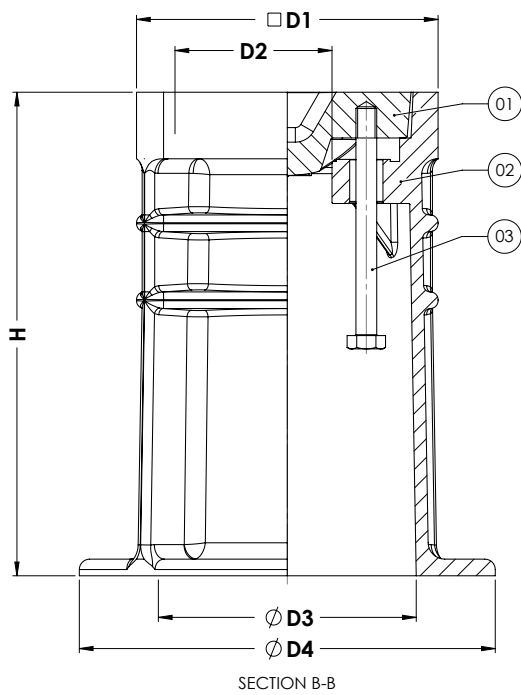
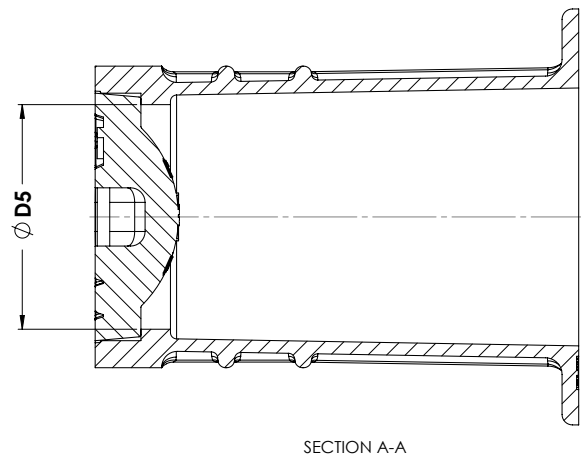
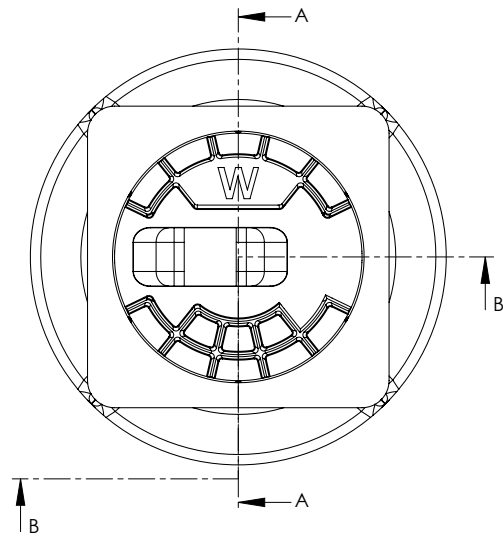
- Design according to DIN 4057
- DVGW VP 310-2
- DVGW approval, certificate DW-4530BN0471

Accessories

- Support tile I
- Top frame service connection



Expect... **AVR**



Component list

1. Lid	EN-GJL-250
2. Housing	PA+
3. Bolt M10x110 hexagon head	A2-70

Reference nos. and nominal dimensions

AVK ref. nos.	D1 mm	D2 mm	D3 mm	D4 mm	D5 mm	D6 mm	H mm	Weight box in kg	Weight lid in kg	Total weight in kg
80-32-2000000	145	76	124	200	108	120	232	1.4	1.8	3.2

For other variants different item numbers apply
 Dimensions are subject to tolerances