



## AVK SURFACE BOX H-4056V HD-GG

80/31  
100

Height adjustable  
Surface box for distribution valves  
Standard lid inscription: W

### Type

- H-4056V HD-GG
- Round cast iron lid
- Round top surface box

### Features

- Lightweight, user-friendly, silent and maintenance free
- 100% recyclable and significantly less use of resources compared to traditional materials
- Manufactured out of high grade recycled materials
- Ribs in housing ensure optimal fixation in road foundation
- Selected materials for housing and lid ensure easy opening at all times
- Heat resistant to max. 250 °C
- Suitable for low-temperature applications
- Large height range and flexible positioning of top part
- Inscription in lid to be positioned easily
- No height adjustment needed after installation, saving time and costs
- Floating top part following road settlement ensuring perfect alignment at all times
- O-ring only to be used for determining final position of top part
- D400 load bearing capacity

### Optional

- Available as lockable version making the surface box tamperproof
- Various colours and lid inscriptions possible
- Spring around bolt ensuring lid will stay in its place

### Standards

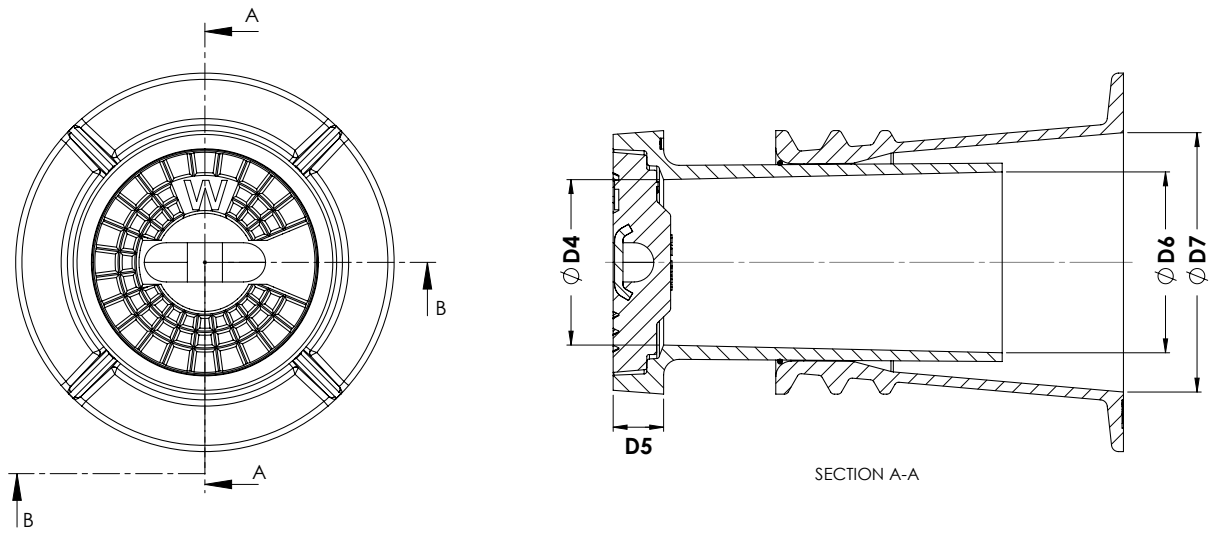
- Design according to DIN 4056
- DVGW VP 310-2
- DVGW approval, certificate DW-6430BP0142

### Accessories

- Support tile I



Expect... **AVR**



**Component list**

1. Lid	EN-GJL-200
2. Housing top part	PA+
3. Bolt M12x130 hexagon socket head	A2-70
4. O-ring	EPDM
5. Housing bottom part	PA+

**Reference nos. and nominal dimensions**

AVK ref. nos.	D1 mm	D2 mm	D3 mm	D4 mm	D5 mm	D6 mm	D7 mm	D8 mm	H mm	X mm
80-31-1000000	182	95	270	118	36	129	185	157	365-485	80-200
	Weight box in kg	Weight lid in kg	Total weight in kg							
	3.1	3.9	7.0							

For other variants different item numbers apply  
Dimensions are subject to tolerances