



## AVK SURFACE BOX H-4056P MD-KU

80/31  
204

Fixed height  
Special model for pavement  
Surface box for distribution valves  
Standard lid inscription: AVK W

### Type

- H-4056P MD-KU
- Round synthetic lid
- Square top surface box

### Features

- Lightweight, user-friendly, silent and maintenance free
- 100% recyclable and significantly less use of resources compared to traditional materials
- Manufactured out of high grade recycled materials
- Ribs in housing ensure optimal fixation in road foundation
- Selected materials for housing and lid ensure easy opening at all times
- Heat resistant to max. 250 °C
- Suitable for low-temperature applications
- Locking clip around the bolt ensuring lid will stay in its place
- Lid material discourages thieves; no value in stealing
- Synthetic lid enables signal transmission
- Due to rectangular top ideal solution for pavement installation
- D400 load bearing capacity

### Optional

- Various colours and lid inscriptions possible
- Available as lockable version making the surface box tamperproof

### Standards

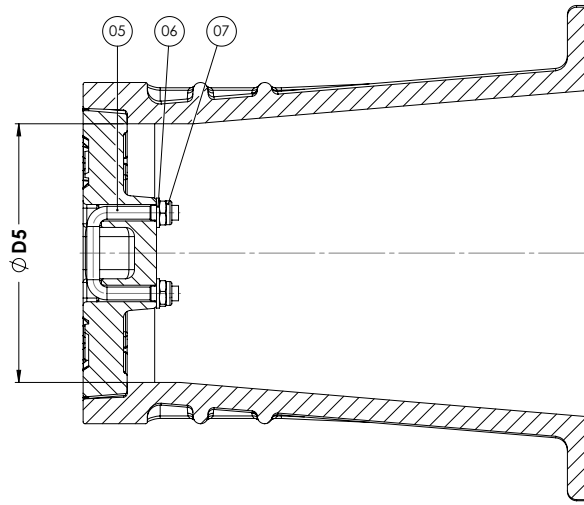
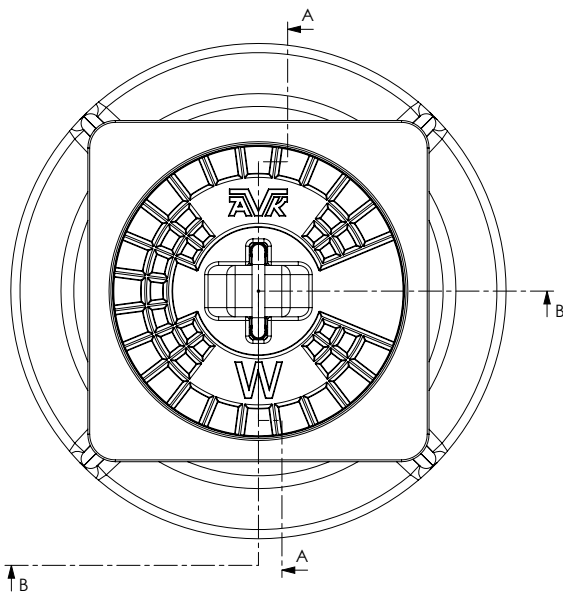
- Design derived from DIN 4056
- DVGW VP 310-2

### Accessories

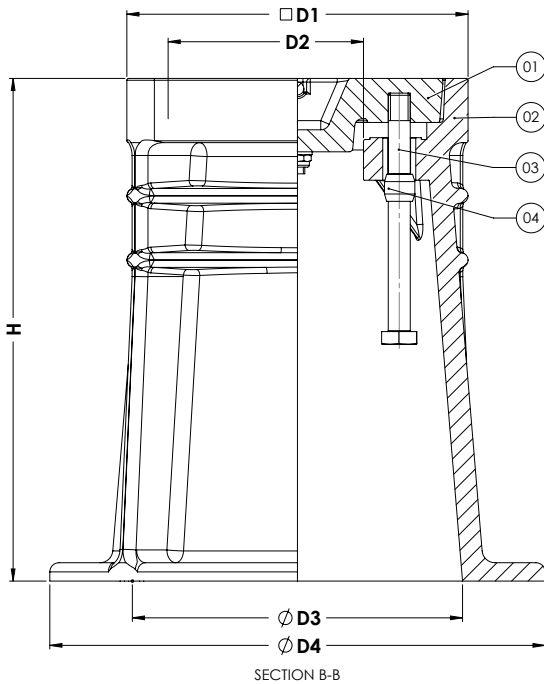
- Support tile I
- Top frame for gate valve



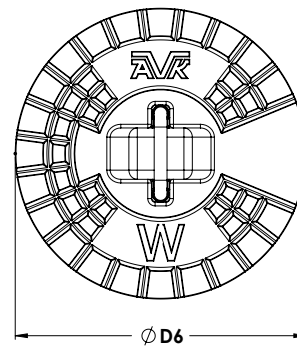
Expect... **AVR**



SECTION A-A



SECTION B-B



**Component list**

1. Lid	PP 40%GF
2. Housing	PA+
3. Bolt M12x130 hexagon head	A2-70
4. Locking clip	PP
5. Crossbar	AISI 304
6. Washer M8	A2
7. Prevailing torque nut M8	A2

**Reference nos. and nominal dimensions**

AVK ref. nos.	D1 mm	D2 mm	D3 mm	D4 mm	D5 mm	D6 mm	H mm	Weight box in kg	Weight lid in kg	Total weight in kg
80-31-2040007	186	106	180	270	140	159	274	2.6	0.5	3.1

For other variants different item numbers apply  
Dimensions are subject to tolerances