



AVK SURFACE BOX H-4056 HD-GG

80/31
000

Fixed height
Surface box for distribution valves
Standard lid inscription: W

Type

- H-4056 HD-GG
- Round cast iron lid
- Round top surface box

Features

- Lightweight, user-friendly, silent and maintenance free
- 100% recyclable and significantly less use of resources compared to traditional materials
- Manufactured out of high grade recycled materials
- Ribs in housing ensure optimal fixation in road foundation
- Selected materials for housing and lid ensure easy opening at all times
- Heat resistant to max. 250 °C
- Suitable for low-temperature applications
- C250 load bearing capacity

Optional

- Spring around bolt ensuring lid will stay in its place
- Various colours and lid inscriptions possible
- Available as lockable version making the surface box tamperproof

Standards

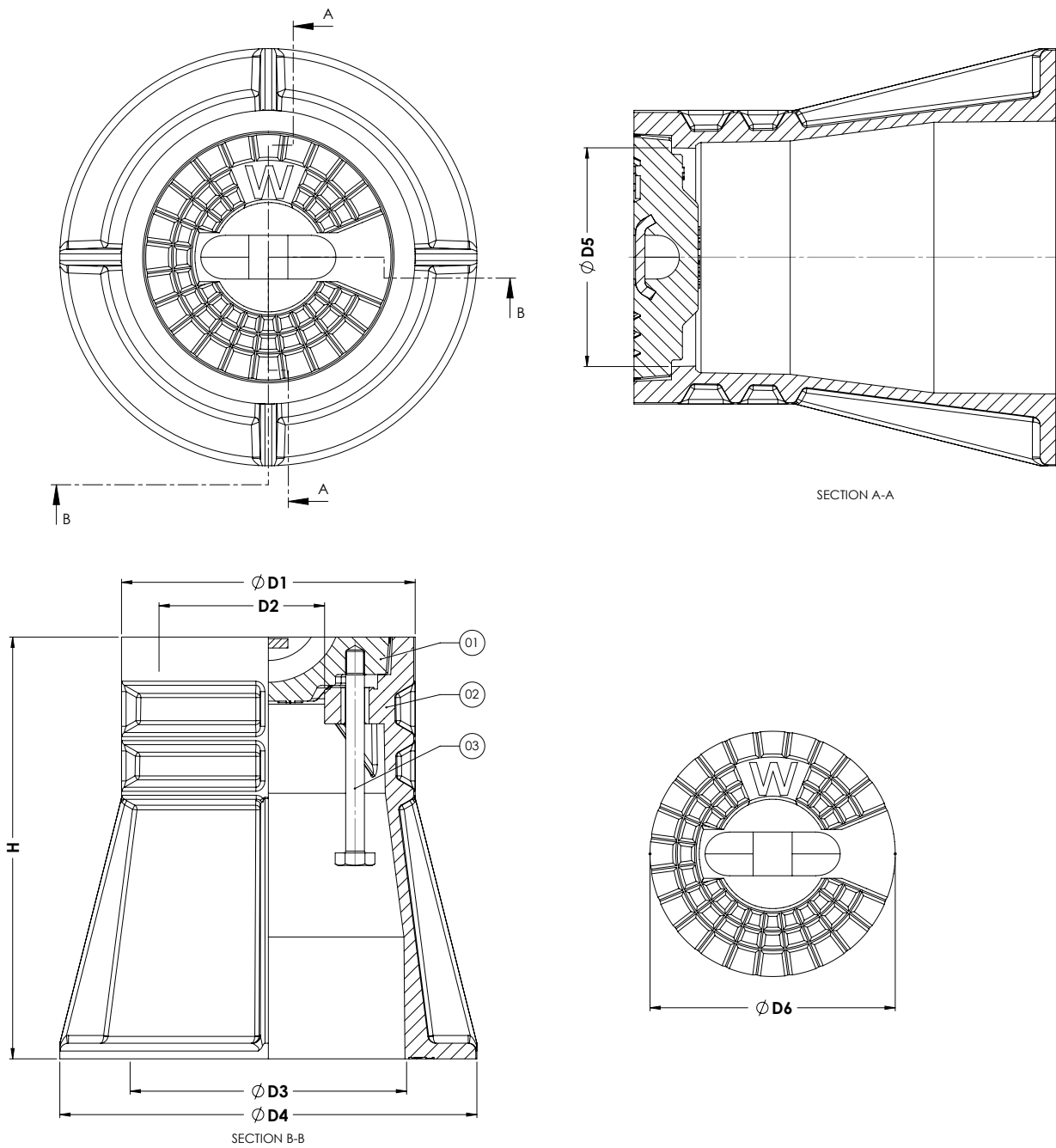
- Design according to DIN 4056
- DVGW VP 310-2
- DVGW approval, certificate DW-6430BP0140

Accessories

- Support tile I



Expect... **AVR**



Component list

| | |
|------------------------------|------------|
| 1. Lid | EN-GJL-200 |
| 2. Housing | PA+ |
| 3. Bolt M12x130 hexagon head | A2-70 |

Reference nos. and nominal dimensions

| AVK ref. nos. | D1 mm | D2 mm | D3 mm | D4 mm | D5 mm | D6 mm | H mm | Weight box in kg | Weight lid in kg | Total weight in kg |
|---------------|----------|----------|----------|----------|----------|----------|---------|---------------------|---------------------|-----------------------|
| 80-31-0000000 | 188 | 106 | 177 | 267 | 140 | 157 | 270 | 2.1 | 3.9 | 6.0 |

For other variants different item numbers apply
 Dimensions are subject to tolerances