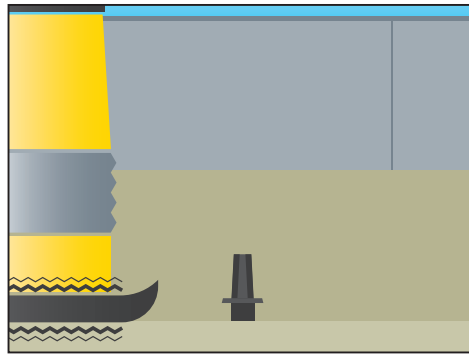
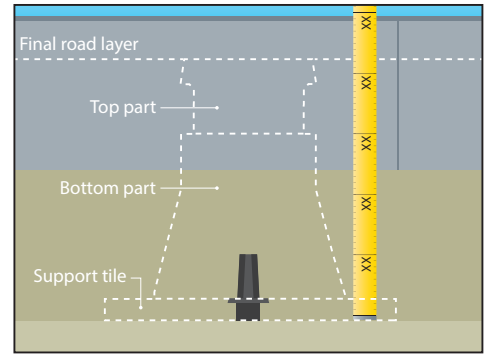


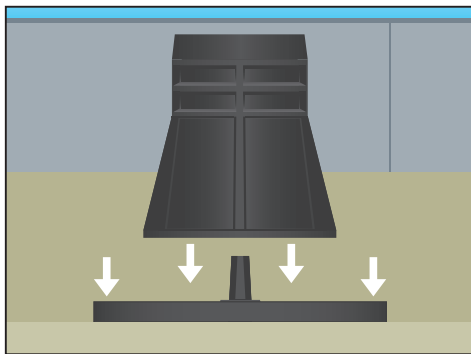
Final situation



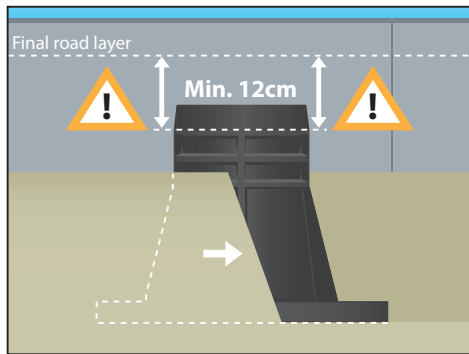
1. Compact the subsoil.



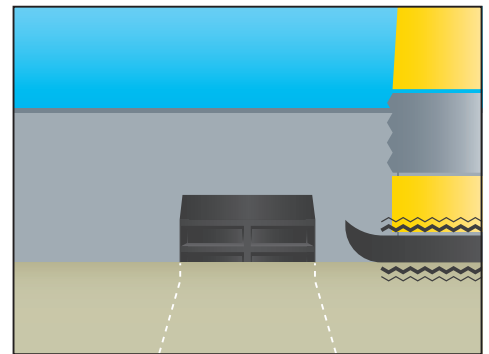
2. Determine the final height of the surface box.



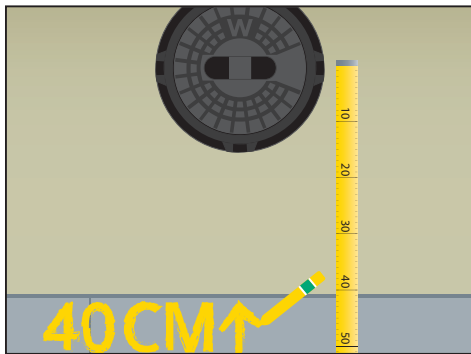
3. Place the support tile (optional) on the subsoil, centre the surface box on the support tile and make sure the top part is in the lowest position.



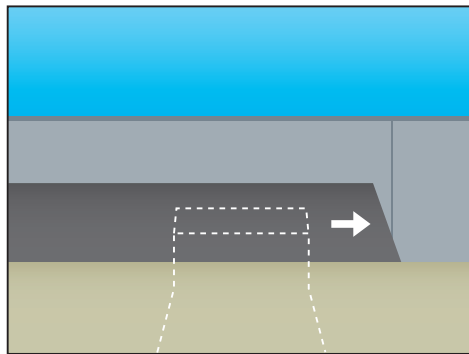
4. Make sure the final height of the top part will be at least 12 cm higher than the bottom part. Surround the surface box with soil/concrete.



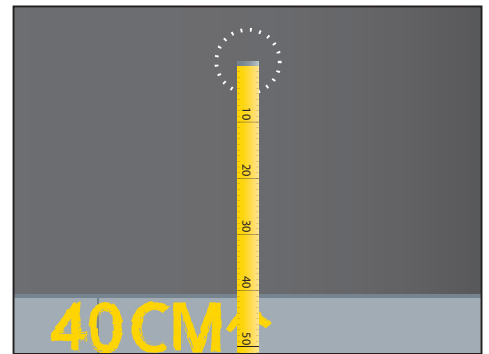
5. Compact the surrounding soil.



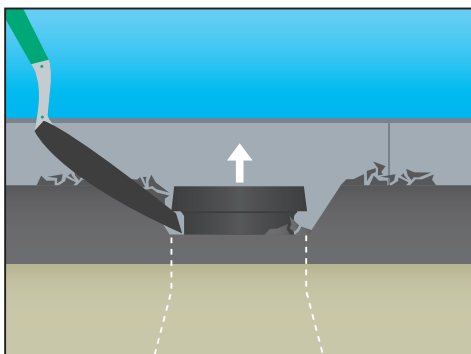
6. Mark the position of the surface box on the curbstone.



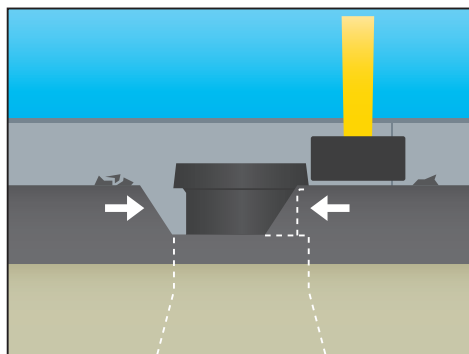
7. Apply the first layer of tarmac. Completely cover the surface box.



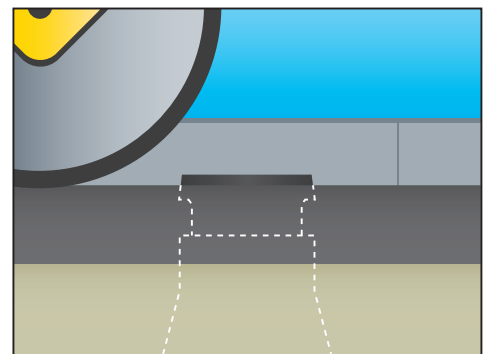
8. Locate the surface box.



9. Dig out the top part and lift it approximately 2 cm above surface.

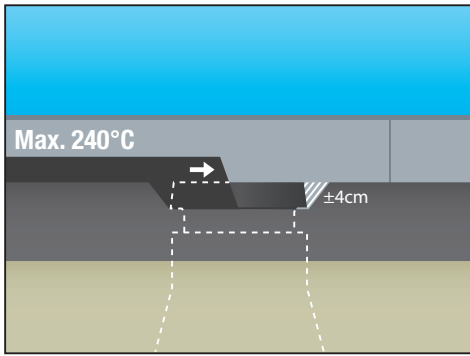


10. Compact the area surrounding the top part.

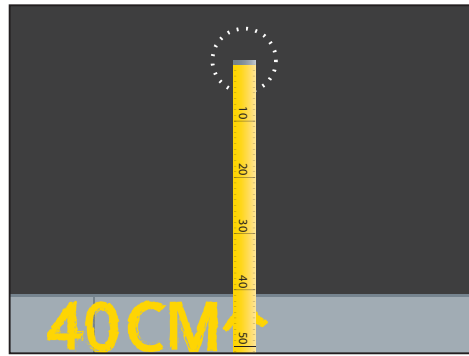


11. Use a roller to compact the tarmac layer and settle the top part of the surface box.

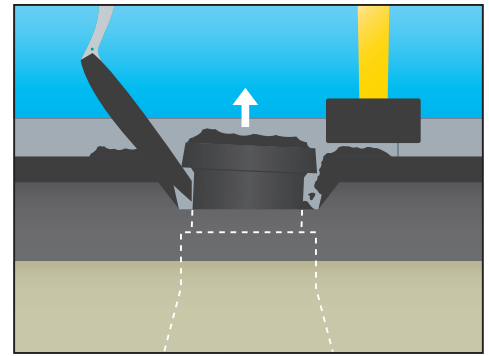
Check next page for following steps.



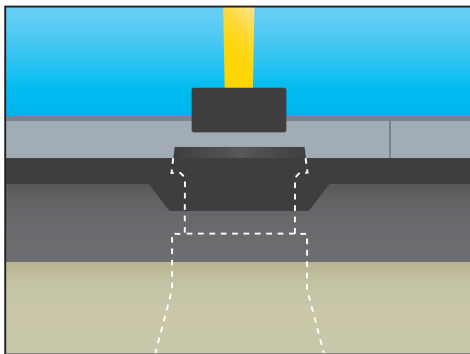
12. Create a slope of approximately 4 cm wide and 4 cm deep around the surface box and apply the final layer of tarmac.



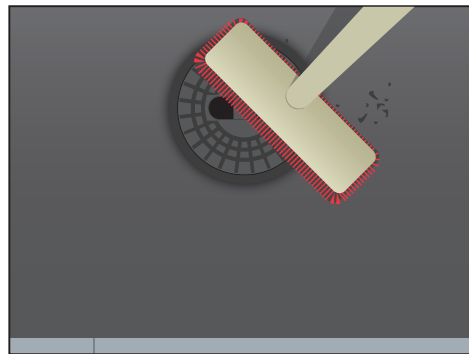
13. Locate the surface box once more.



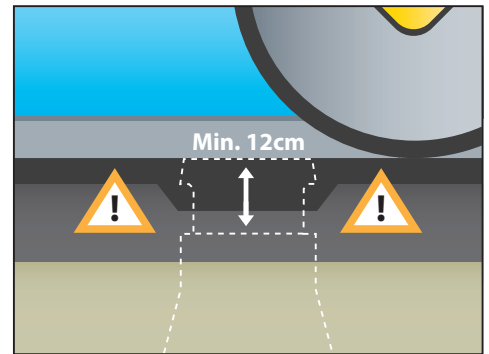
14. Dig out and clear the top part. Lift it approximately 2 cm above surface. Compact the tarmac surrounding the top part.



15. Manually push the top part down as far as possible.



16. Clean the top of the surface box.



17. Use a roller to compact the final layer and settle the top part.